

Installation Manual

Aluminium

Pedestrian Gate

Double Gate

Check List :

- For installation, different sized wedges will be needed (30-50mm)
- Using a pair of scissors, unwrap the gate with care
- Check the packaging and make sure you have all the elements. Make sure you have all the hardware
- Carefully read this installation manual and check that the gate is adapted to the site it is going to be installed on
- Do not install or use the product if elements are missing or damaged
- Do not change the product's build. Not respecting these rules can lead to material damage physical injuries, or death.

Fixations :

- We recommend the purchase of fixing plugs and screws depending on the type of pillars or support posts. Caution, for reconstructed pillar elements you must imperatively proceed by chemical sealing with threaded rods.

Storage conditions

- Transitional or prolonged storage must be carried out on suitable devices, avoiding direct contact with the ground and protected from the weather as well as from cement, plaster, paint, projections, etc...
- Storage must be vertical and the gate must be in contact along its entire length to avoid any deformation.
- Do not store your gate flat, especially on a damp surface (lawn), or outside in its original packaging.
- Modifications and changes of storage location on site are to be avoided because of possible damage; if a change of storage location is mandatory, it is essential to ensure that the elements are transported in the manufacturer's original packaging and to take the usual precautions.

Safety

These instructions are intended to guarantee your safety. Please read them in full before starting and keep them for future reference.

- Do not install the gate when the wind is stronger than 40 Km/hour.
Do not use electrical equipment in the rain.
- Th Wear protective goggles when drilling, chiselling and handling concrete.
- Be careful when opening and closing the gate and keep your hands away from the folding mechanism to prevent your fingers from getting caught.
- Pay particular attention to small children. A heavy gate can cause serious injuries. Do not leave the site without ensuring that the gate is securely fastened.
- Do not climb up or sit down on the gate. Do not climb over it.
Do not attempt to repair the gate yourself, as any alterations made by you will invalidate the manufacturer's warranty.
- Carry out periodic structural checks of the product and pillars. Do not use the product if you have any doubts about its correct use.
- Never use the gate if it is damaged in any way. Have it repaired by a professional before using it again.
- Be careful when using household cleaning products, check the instructions for these products so as not to damage your gate when cleaning it.

Tools needed



- 1- 2 Tresles
- 2- 1 level
- 3- 2 clamps
- 4- Ruler
- 5- 1 hammer
- 6- 1 mesuring tape
- 7- 1 pencil
- 8- 1 phillips screwdriver
- 9- 1 flat screwdriver
- 10- 2 pipe spanners of 13 and 17
- 11- 11 - 1 box of forests
- 12- 12 - 1 concrete forest box
- 13- 13 - 1 percussion drill
- 14- 14 - 1 set of Allen keys
- 15- 15 - 1 set of chemical sealant
- 16- 1 cartridge gun

Useful Advice

As far as possible, use the accessories supplied, however, depending on the configuration of the site and its geographical location, you will have to use different materials for the seals.

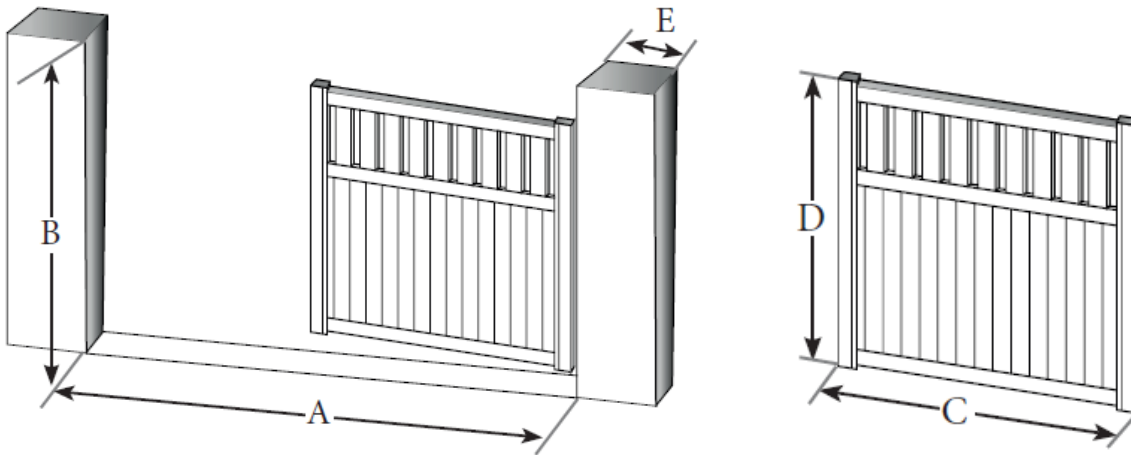
- The purchase of a chemical sealing cartridge would be convenient for you to fix the threaded hinges.
- If you do not have a threshold between the pillars, use several bags of cement and sand, as well as a metal reinforcement to be incorporated in the threshold or in the aluminium posts will be necessary.
- Various PVC or metal plugs to install in the pillars or on the threshold.
- Threaded rods with a diameter of 8 mm and a length of 10 to 15 cm stainless steel preferably for fixing certain hinges in the pillar elements.
- Screws with a wide head and a cruciform inprint for the PVC plugs and of a length corresponding to the plugs, replacing the screws supplied.
- Nuts and washers with a diameter of 8 for the installation of the hinges on the aluminium posts.
- Parafin or lubricant spray to be applied during installation.
- Wedges of different heights to install under the gate to obtain the level.
- Tapping tools (tap of 8) to make threads (installation of a motorisation or hinges on the aluminium posts).
- In order to keep the leaves open, it would be useful to obtain end-of-opening stops, if these are not ordered with the gate.

Checks before installation

Before laying, you need to check the dimensions of the gate.

Check all the elements of your order.

These steps are obligatory and help to eliminate any complications before starting the installation.



A - The narrowest dimension, also known as the panel or clear masonry dimension (plastering).

B - The height of the pillars must be approximately 100 mm higher than "D" to be able to install the gate.

C - The width of the leaf with the deduced clearance (variable according to the installation style) is half the dimension - A -

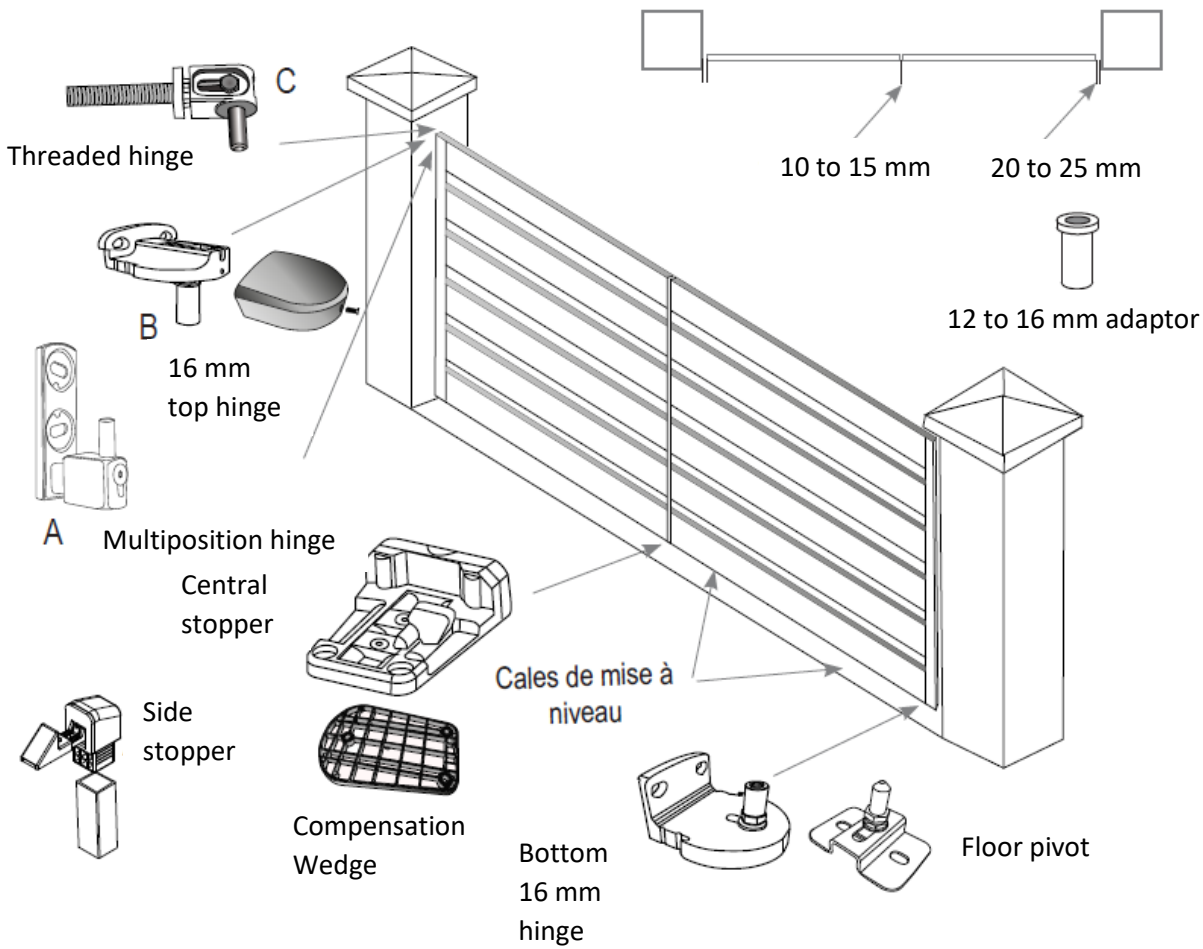
D - The height of the leaf on the pillar side, this dimension must be less than the pillars.

E - The width of the pillar, must be at least or equal to 18 cm for the installation of certain types of sliding guide carriages or for the installation of different models of leaf motor.



Minimum operating clearance
10 to 15 mm

Installing double or pedestrian gate



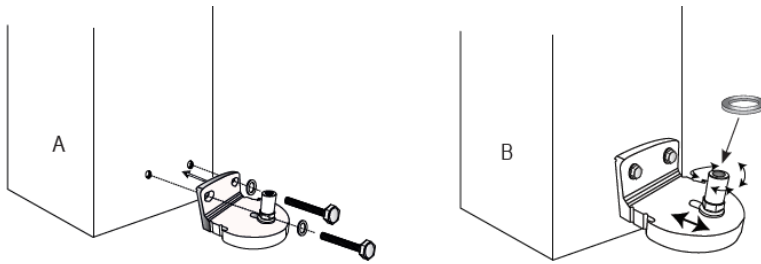
	Hinge type	fixations	Concrete	Full cinder block	Hollow cinder block	Natural stone	Reconstituted stone
A		chemical sealing	Yes	Yes	Yes*	Yes	Yes*+
		Expansion	Yes	Yes	Yes	Yes	
		PVC	Yes	Yes	Yes	Yes	
B		chemical sealing	Yes	Yes	Yes *	Yes	Yes*+
		Expansion	Yes	Yes		Yes	
		PVC	Yes	Yes		Yes	
C		chemical sealing	Yes	Yes	Yes*	Yes	Yes*+

Yes* : The use of a sieve is strongly recommended.

+ Installation on sealed threaded rods

16 MM bottom hinge

Present the low hinge at the base of the pillar by inserting a 5 mm wedge between the floor and this pivot.



A: Mark the location of the fixing holes on the pillar and drill according to the diameter of the plugs.

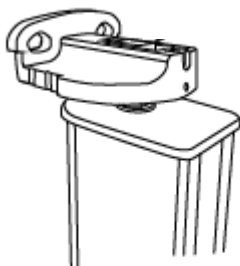
B: Install the hinge and pre-adjust the rotation axis to approximately 65 mm from the abutment by unscrewing it.

Adjustment

This will be definitively done after the installation of the second leaf. Install the 16 washer.

16 MM top hinge

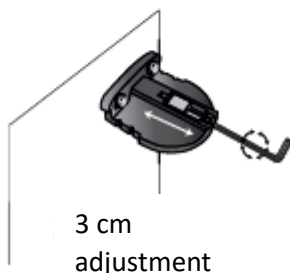
The hinge must be presented with the plate upwards and preset to the lower hinge. Install a first sash on the floor pivot and hold it horizontally or slightly higher on the lock side, positioning shims under the lock, low crossbar or under the upright.



Insert the hinge into the top hole of the upright and keep the leaf plumb and level. Draw the location of the fasteners or the contour of the hinge.

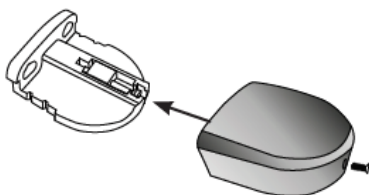
Remove the sash in order to drill at the location of the tracks. Drill the holes in depending on the diameter of the pegs.

Re-install the leaf on the pivot and shims on the ground and secure the hinge to the pillar. Do the same to install the second leaf.



To adjust the leaves :

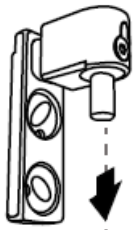
- 1 - Close both leaves, aligning them with the threshold or place the central stop.
- 2 - Install a level on the crosspiece.
- 3 - With an allen key, screw to raise or unscrew to lower the leaf.
- 4 - Go from one leaf to the other and adjust the top of the central uprights, for a better fit. portail it should be slightly higher in the centre.



Slide the hinge fairing into the groove provided in this section until it comes into contact with the abutment.

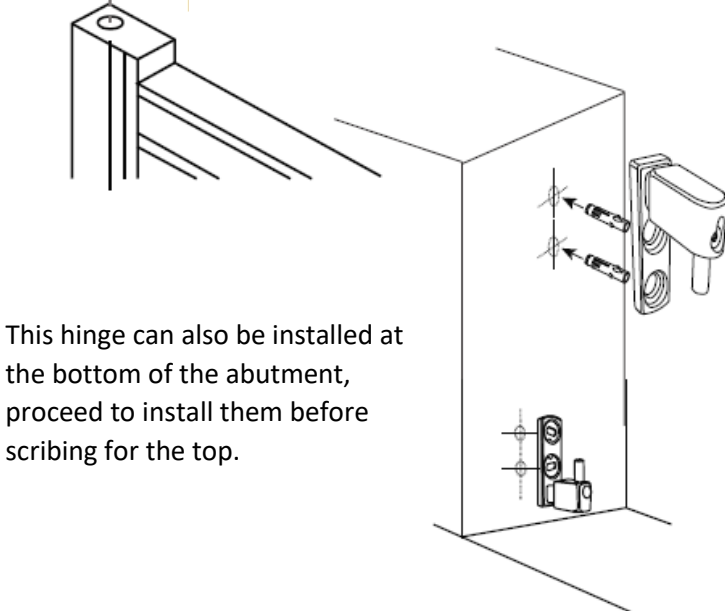
For the installation of these hinges on an aluminium post we recommend drilling to 6.5 mm and tap to 8 mm and if possible install a lock nut.

Multiposition hinge

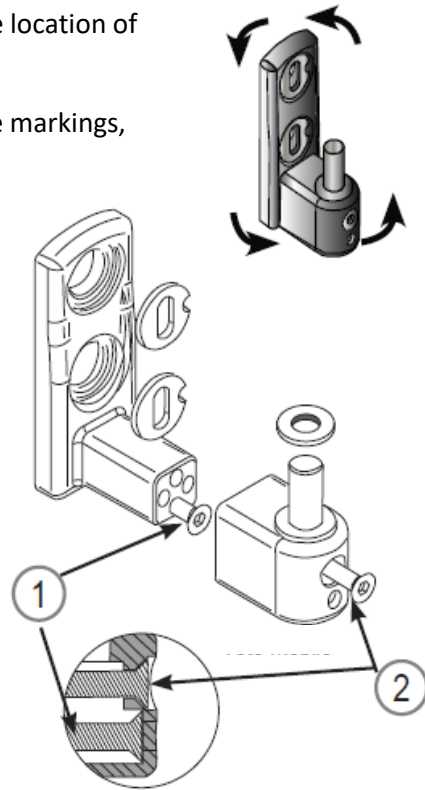


Place the 1st leaf on the bottom hinge, insert the hinge into the top hole of the upright and keep the leaf plumb. Trace the location of the fasteners or the contour of the hinge.

Remove the sash in order to drill at the location of the markings, drill the holes according to the diameter of the pegs.

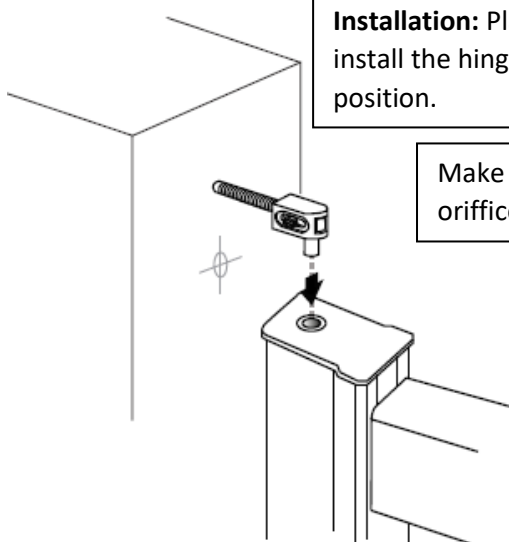


This hinge can also be installed at the bottom of the abutment, proceed to install them before scribing for the top.

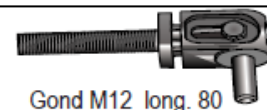


Threaded hinge

The threaded hinge is supplied with a metal expansion dowel, however it is preferable to seal it with a chemical seal. This hinge is suitable for installation on reconstructed abutment elements. We recommend it only for installation on top, as once sealed there is no lateral adjustment.



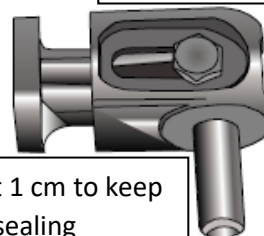
Installation: Place the leaf on the bottom pivot and install the hinge in the hole in the upright to trace its position.



Make an opening above the thread and suck out the dust from the orifice before sealing.

Remove the screw in order to install it.

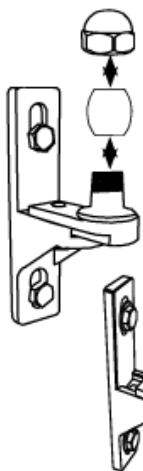
Pull the head out 1 cm to keep a setting before sealing



Avoid sealing the hinge directly into the pillar, it is preferable to present the gate leaf if it is a wicket gate or the entire gate in place before sealing. Sealing with the gate in its final position allows the thread exit and thus the operating clearance to be adjusted.

Rising hinges

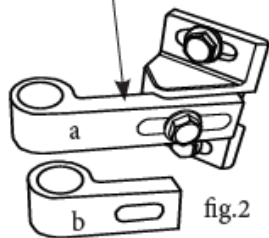
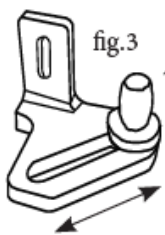
1 - Place wedges of at least 60 mm on the sill so that the lower crosspiece of the gate rests on them.



2 - Place the olive on the high hinge (fig.1) and install it on the pin fixed on the upright. Make an adjustment of play between sash and pillar of approx. 25 mm. Install the nut on the axis of this hinge.

3 - Place the leaf on the floor wedges, check if the height is right By putting the central stop under the central upright.

Present both leaves to determine the play and the positioning of the gate.

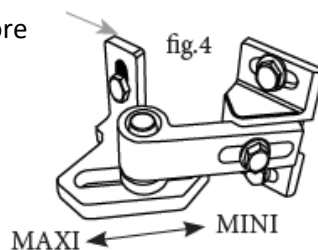


4 - Install the low hinge of the leaf so that the eye is turned towards the abutment (fig.2) and pull it out as far as it will go.

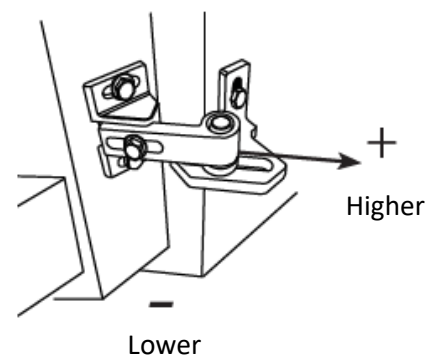
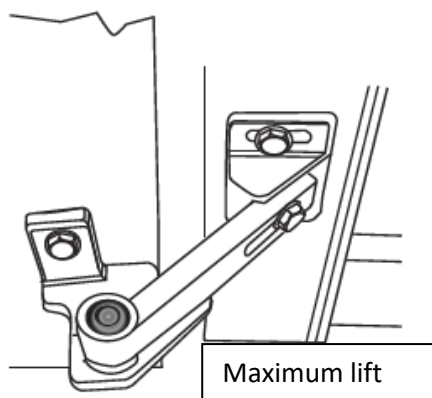
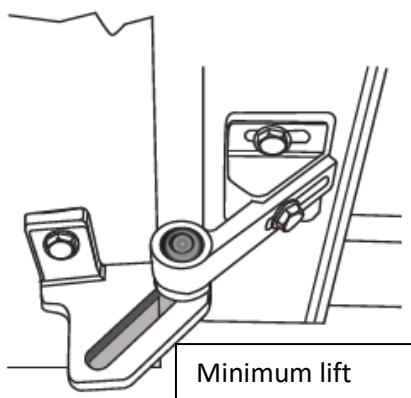
60 mm

5 - Loosen the bottom pivot pin with a 17 mm spanner (fig.3) and slide it out. Insert it in the the hinge already in place on the gate (fig.4)

This face of the pivot must be in contact against the abutment.before



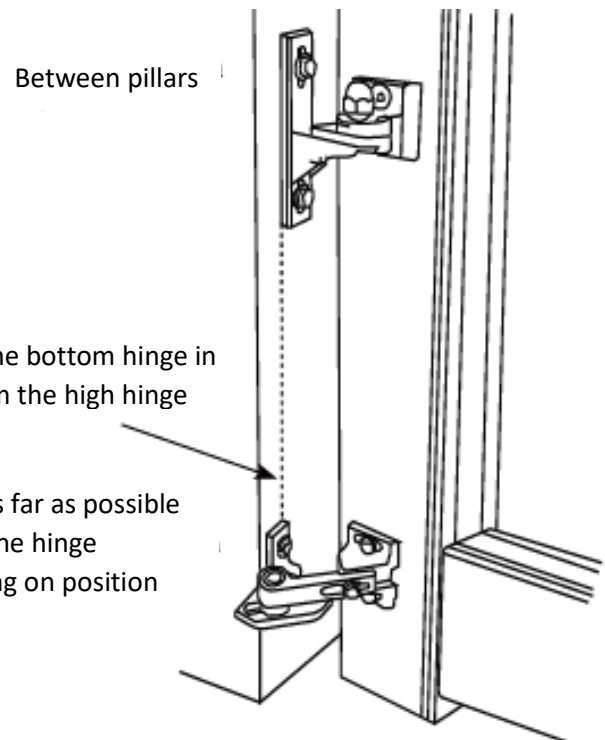
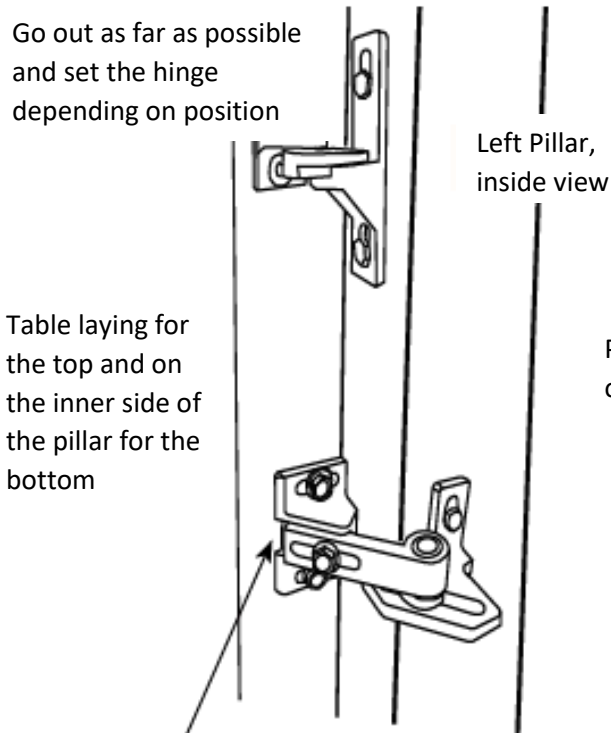
6 - Adjust the hinge by sliding it on the support. You can install it maximum for a higher lift (max. = 15%) a final adjustment will be necessary once the two leaves installed



The hinges can also be installed between the pillars, however, they must be vertically offset, the settings are identical.

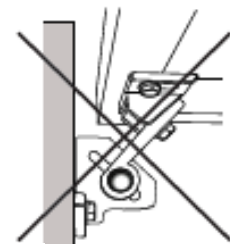
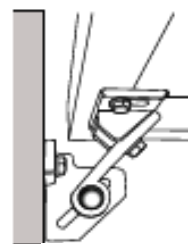
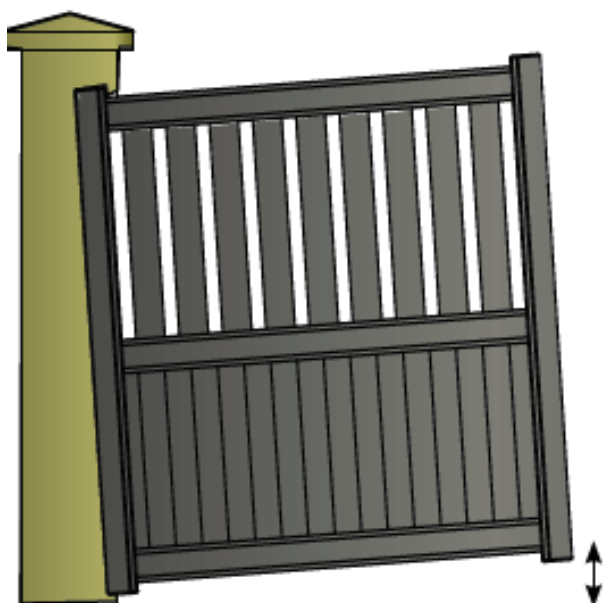
Present your gate in the opening by installing it on height shims, at least under the upright 30 mm. Adjust the level with the centre slightly higher and then the gate application.

Mark the location of the top hinge, release the small hinge at the bottom of the gate and place it on the bottom hinge to obtain maximum adjustment



In the mini version, the hinge is in contact with the leaf on its support. The support on the leaf can also be adjusted to obtain the best result.

Vertically the supports must be offset, depending on the clearance and length of the hinge.



7 - Install the leaf on the hinges and proceed with the opening. Make the adjustment in order to obtain the best possible opening and install the second leaf by repeating steps 1 to 6. The gate will never be parallel to the ground when opening.

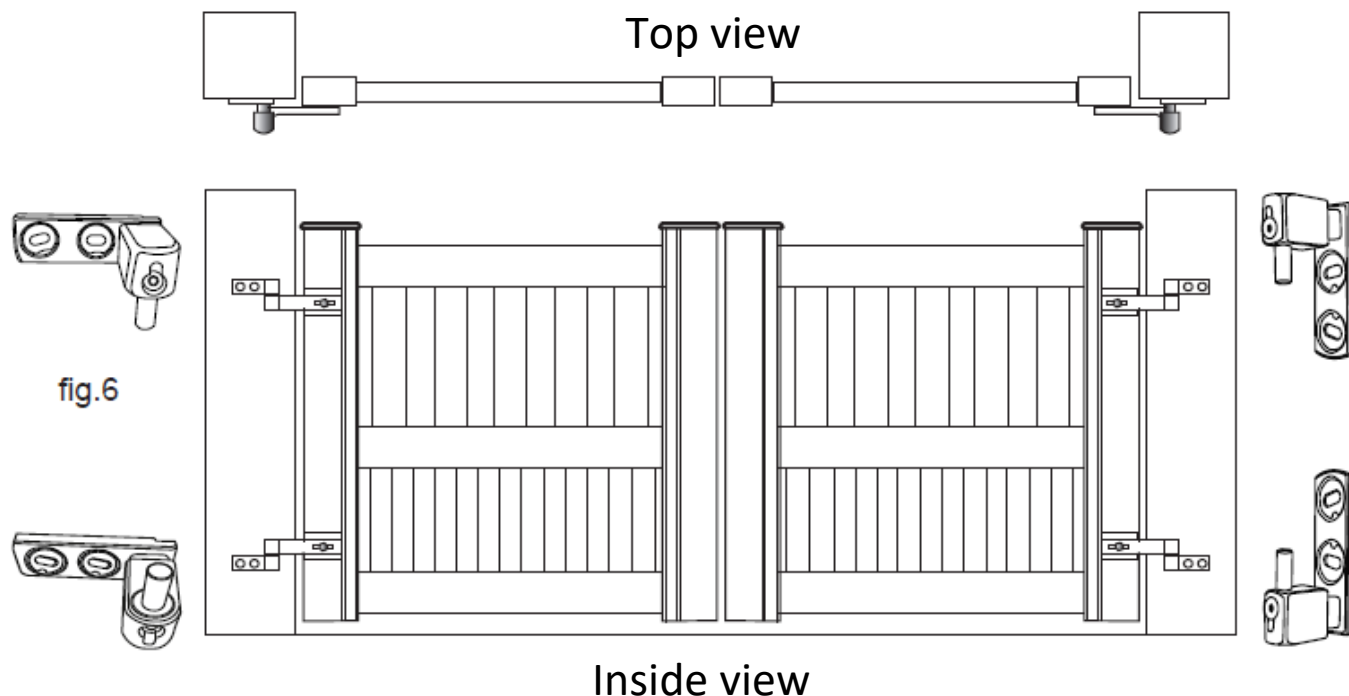
180° opening hinge (optional)

This installation is designed for a total internal or external 180° opening.

Place both leaves on wedges on the threshold.

Install the hinge in the right direction, it must face outwards to be installed on the pillar (fig.5).

CAUTION: the hinge is delivered installed upside down for logistical reasons.



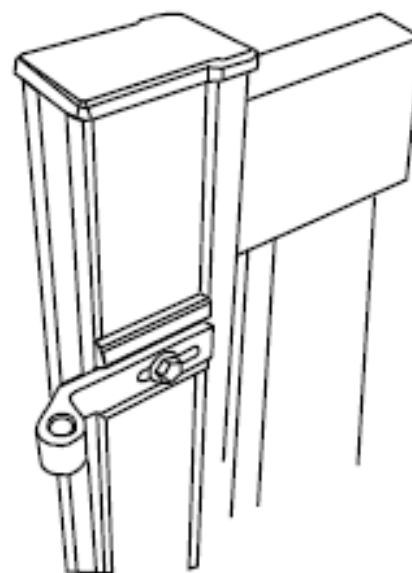
The hinges will be placed on the internal face of the pillar, (internal opening). They can be mounted horizontally (fig.6), this allows the leaves to be adjusted and the fasteners to be kept away from the edge of the pillars.

The top hinge must in any case be turned downwards to prevent the gate from unhooking.
This installation is made for a total internal or external 180° opening.

Place both leaves on wedges on the threshold. (60 mm under the bottom crossbar)

Distribute the clearance between the pillars and the gate, keeping 15 mm in the centre.

Start by installing the bottom hinge, it will have to support the weight of the gate, do not forget the washer (important).

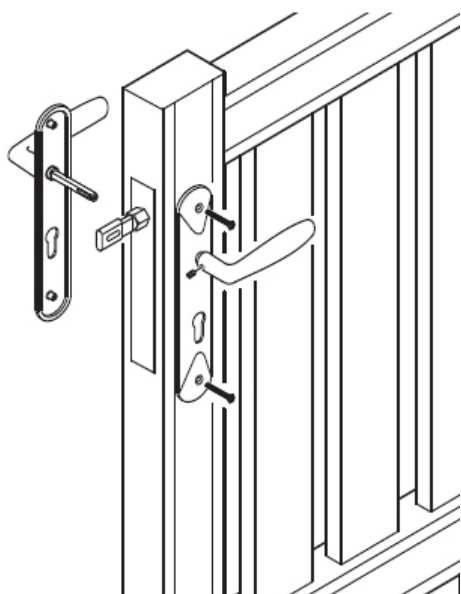


Proceed with the same installation principle for a 180° opening on the outside, the inside (diagram) will then be on the outside.

For an external opening, the hinges must be on the outside.

Pedestrian gate hatch

The pedestrian gate should be installed like a gate leaf (see previous step).
Install the handle on the pedestrian gate, close it and keep it parallel to the threshold.



Striker plate on joint cover or strike

Close the gate, check the parallelism with the threshold and block it with wooden wedges. Make a height mark and place it on the pillar,

Remove the gasket cover from the bracket and drill the bracket according to the diameter of the fixing screws.

Open the gate and present the strike plate support by aligning it on the height and application marker.

Mark the position of the holes on the abutment and drill and install the dowels.

Secure the bracket with the screws and reinstall the cover plate.

Adjust the outlet of the bolt with an awl key if necessary and tighten to the maximum once the work has been made.



Pedestrian gate electric latch

The exit of the duct will be at 1.00 metre from the ground, the wire will have to come out of the pillar and be adjusted when connecting.

The electric latch is screwed onto a cover plate which is screwed onto a upright (fig.9).

Place the upright against the pillar and close the gate.

The bolt of the lock must be inserted into the strike.

Mark the top of the upright on the pillar. Caution: the door must be parallel to the threshold

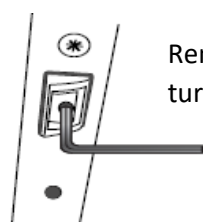
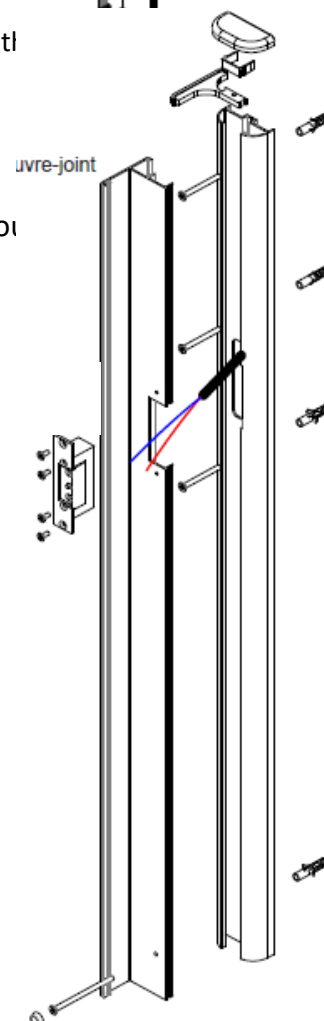
Take the upright on which the strike plate is fixed. Do not dismantle the strike plate. Remove the fixing screws of the joint cover after removing the screw covers and remove it from the jamb.

Present the upright alone against the pillar, pay attention to the height of your track. Raise the best place to place the dowels, avoid falling into a joint. Drill the pillar according to the diameter of your screws and drill the pillar according to the diameter of the plugs used.

Fix the upright and insert the cable (2 wires) by pulling it out through the opening in the strike plate.

Bring the cover plate closer and make the connection. Caution: the strike must be supplied with LOW VOLTAGE, there is no polarity.

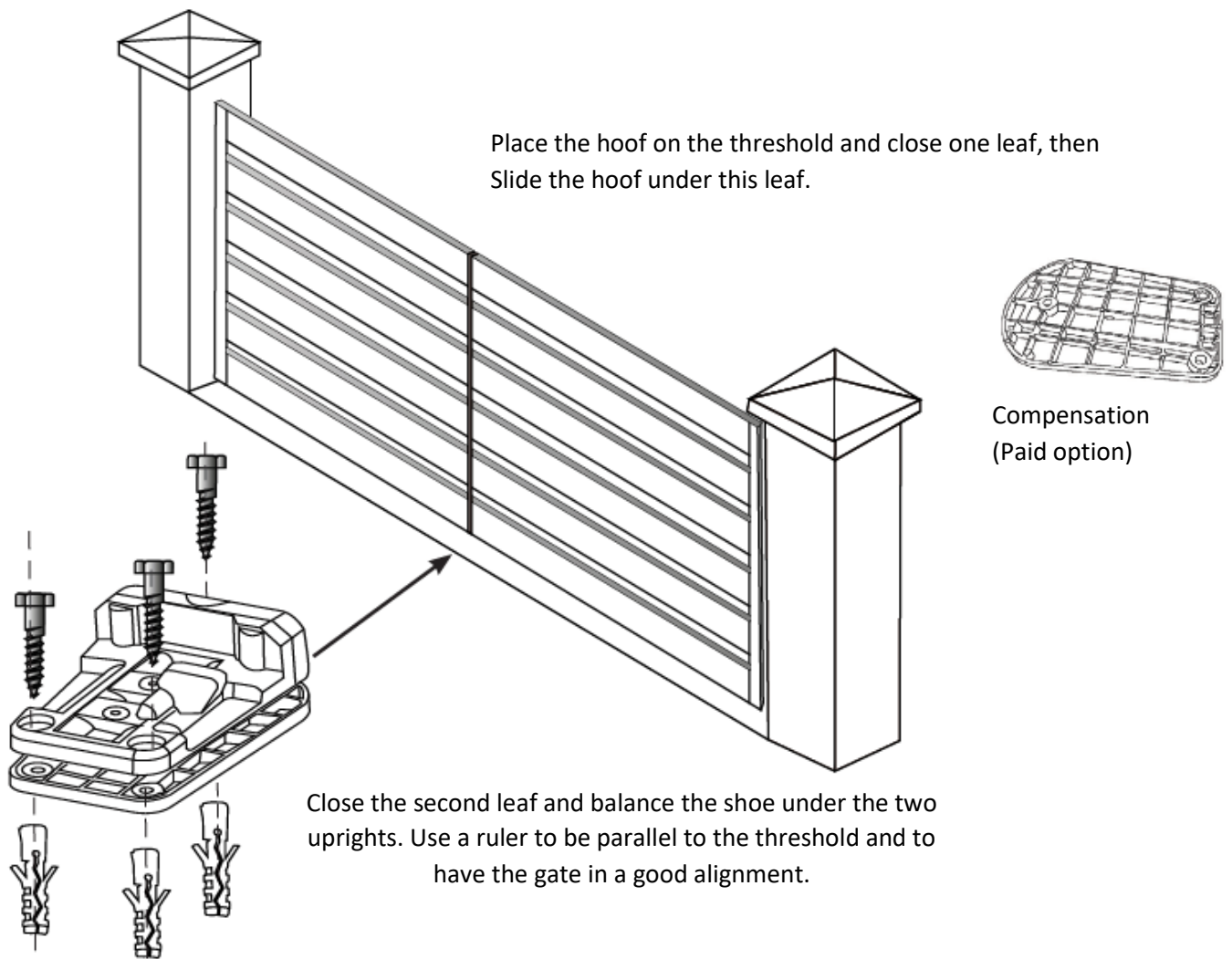
Reassemble the joint cover on the upright and make the first attempts.



Remove the black cover on the bolt and insert an awl key and turn counter-clockwise to remove the bolt.

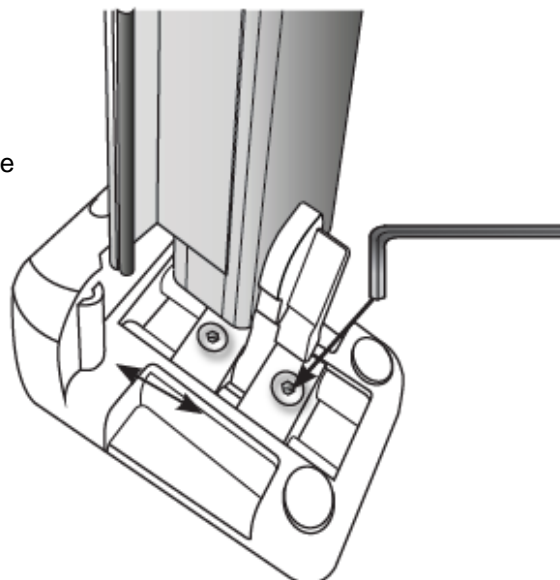
Central Stopper

It is compulsory to have a shoe to keep the leaves closed. The tilter is adjustable according to thickness of the leaf and is removed if the gate is installed with an automated system. To raise the hoof we can provide wedges (paying option) for compensation.



Adapt the fixing of the shoe according to your threshold

Remove the tilt flap if your gate
is automated

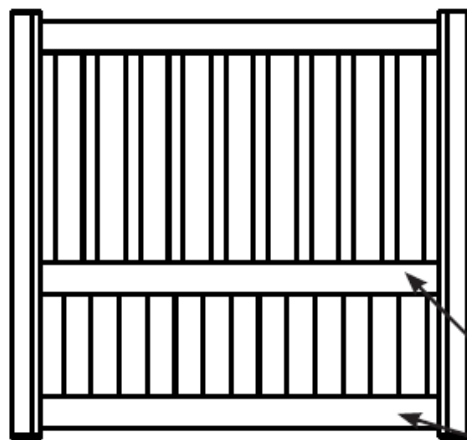


Automation preparation

We incorporated a reinforcement in a crosspiece (fig.14) or in a board (fig.15) and materialised it on the outside of the gate with 2 stickers (fig.16).

This reinforcement can be located either :

- In the central crosspiece if the gate has one (unless it is curved).
- In the lower crosspiece, if there is no central crosspiece or if it is curved.
- In a board, for gates with horizontal boards (its position differs according to the model).



For fixing your motor arm. Install two 8 x 20 mm TH screws (blades) or 8 x 30 (crossbars) in stainless steel.

fig.14

10mm aluminium dish
length 1.20 m

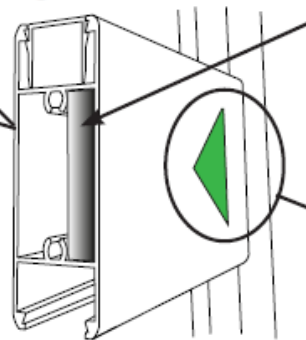


fig.16



Fixing axe to be respected



Caution: you must not drill through the crossbar.

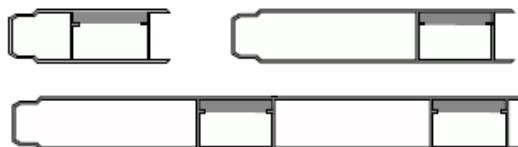
This reinforcement cannot be used for buried or semi-buried engines.

TH: Hexagonal heads

In the area indicated between the two stickers, you can drill to 6.5 mm and tap to 8 mm.

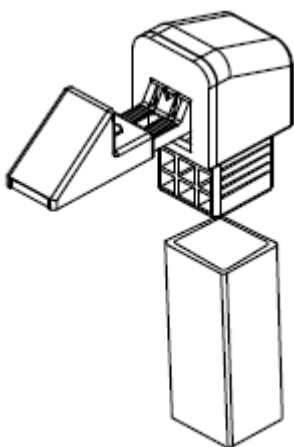
fig.15

Position of the reinforcements in the filling slats

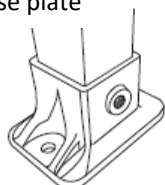


Bottom of the gate

Side stoppers



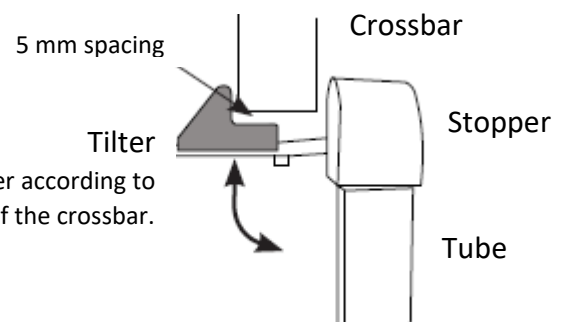
Stopper base plate



Assemble the stopper on the tube supplied.

The stopper is to be installed under the lower sash crossbar. Open the leaf according to your preference, with a minimum of 90° and make a mark on the floor.

Drill a hole deep enough, insert the tube into this hole and lock the stop on the crossbar before sealing.



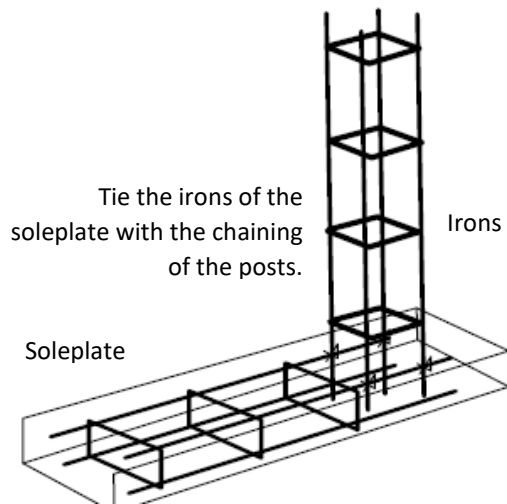
Adjust the tilter according to the thickness of the crossbar.

It is possible to obtain a base plate to facilitate the installation of the stopper on a cement floor (optional).

Installation on aluminium posts

To install the posts, it is desirable to make a base. The foundation will be at least 30 cm deep and more depending on the regions, it will be necessary to take into account the frost-free.

The poles are hollow and serve primarily as formwork, in no case should they be used empty.



Plot the above ground height of the post before proceeding with its placement.



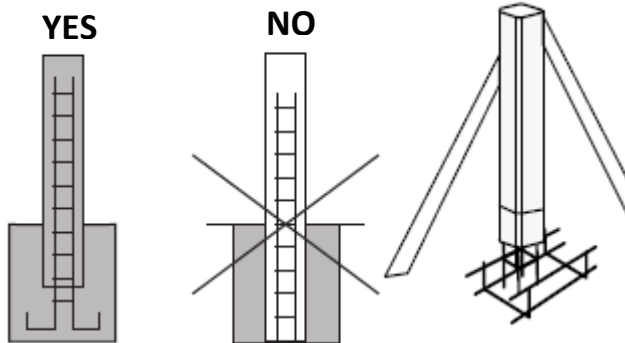
The aboveground height must be from the height of the gate plus 15

You can :

- Cast the entire sole with the posts in place and hold them in place with wooden slats and clamps.

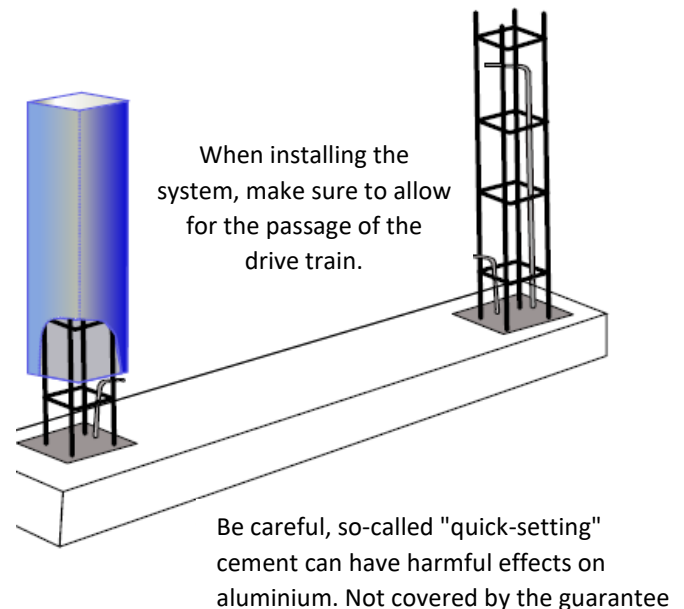
OR

- Pour the base plate, and before the cement hardens, present the posts by pushing them 5 cm into the base plate and hold them in place with wooden slats.



It is imperative to carry out the cementing of the foundations and the filling of the column in one go.
It is not necessary to fill it all the way to the top.

CAUTION : You must absolutely respect the distance between the posts stipulated on your order.



To install the high hinge, present the leaf on the wedges and the high hinge installed on the upright. Place the plate of the hinge in contact with the post and trace its outline.

For 180 mm posts: you can drill directly into the post at 6.5 mm and tap it to 8 mm.

You will need to put a lock nut on the screw.

If the 4 hinges are on a plate, they can be installed on the post before sealing.

Avoid installing the gate in the centre of the posts so as not to be in the junction of the elements that make up the post.
For posts of 100: you will have to drill the first partition and install inside the post a counter-plate and a nut on each screw.

Care and maintenance

- Clean regularly around the gate
- Check that the lock is working properly and that it is securely fastened.
- Use a parafine-type spray lubricant to maintain the lock and hinges regularly and before first use .
- Regularly check and retighten bolts and fasteners.
- Washing with a high pressure cleaner is not recommended above 100 bars and at least 1.00 metre.
- Use a neutral product specific to aluminium and PVC such as a car shampoo.
- Never use pure or slightly diluted bleach, acetone and any other cleaning product (dishwashing liquid, etc.).
- Rinse with clear water only, regular cleaning is recommended every 2 months.

Plan a closer frequency if the environment contains aggressive agents.

	Atmosphere	Frequency
Rural Area	Not very aggressive	Once a year
Low-density urban centre	Not very aggressive	Once a year
Dense urban centre	Aggressive	Twice a year
Coastal, Industrial zone	Very Agressive	Twice a year

Automated gate requires more attention :

- Check the motor mountings.
- Check its correct operation manually.
- Check the inside of the case containing the electronic board.
- Switch off the power and check the operation of the battery, if present.
- Clean the photo cells and all accessories.



After-sales service

Any product to be covered by the guarantee must first be submitted to the seller's after-sales service, whose agreement is essential for any intervention.

The manufacturer will have the possibility to check the products on the spot or to ask for the return. Under no circumstances may the return be decided by the buyer at a later date.

The costs and risks of returning products presumed to be defective are the responsibility of the buyer unless otherwise agreed.

Manufacturer's warranty

The gates are guaranteed against any manufacturing defect for a period of 25 years from the date of invoice to the buyer. For all other terms and conditions of the guarantee, in particular powder coating, please refer to the seller's documents.

Interventions under the guarantee shall not have the effect of extending the duration of the guarantee. The buyer must justify any alleged grievances.

Under this guarantee, the only obligation incumbent on the seller shall be the free replacement or repair of the product or component recognised as defective by its services.

Exclusion :

Defects and deterioration caused by natural wear and tear or by an external accident (assembly defect carried out by the buyer, faulty maintenance, insufficient care or maintenance, abnormal or abusive use, etc.) or by an intervention or modification of the product not foreseen or specified by the manufacturer or carried out by a person not connected to its services, are excluded from the guarantee.

The costs of removal and installation of the gate are also excluded from the warranty.

The commercial guarantees do not affect the rights of the consumer by virtue of the system of hidden defects or the obligation to deliver a compliant product as provided for by Order No. 2005-136 of 17 February 2005.

The following legislative provisions are reproduced in accordance with Article L.211-15 of the French Consumer Code.

The Maintenance Booklet must be filled in by the installer and completed during interventions. You will be asked to complete it in order to ensure the guarantee.

Installation description

Date of order:

Retailer's adress :

.....

Product name: Color :

Recption Date:/...../.....

CE serial number

- Manual gate
- Automated gate

Automation (if automated)

Automation type:

Automation brand:

Photocells	<input type="checkbox"/>	Beacon	<input type="checkbox"/>	(Video) intercom	<input type="checkbox"/>
Key operated selector switch	<input type="checkbox"/>	Digicode	<input type="checkbox"/>	Transmitter qty:	<input type="checkbox"/>

Other elements:

Installer's name and adress :

.....

.....

Installation date:/...../.....

Maintenance contract :

- Yes
- No

Maintenance booklet

Installation date:/...../.....

First Maintenance date:/...../.....

Hinge and fittings check:

- Top Right
- Top Left
- Bottom right
- Bottom left
- Control and adjustment of the leaves
- Central stopper check

Motor / gate mounting:

- Left leaf
- Right leaf

Pillar motor fixing:

- Left leaf
- Right leaf

Cleaning the gate:

- Product used:

Inspection and replacement of wearing parts:

Replacements made	Replacements to be foreseen

Next inspection date:/...../.....